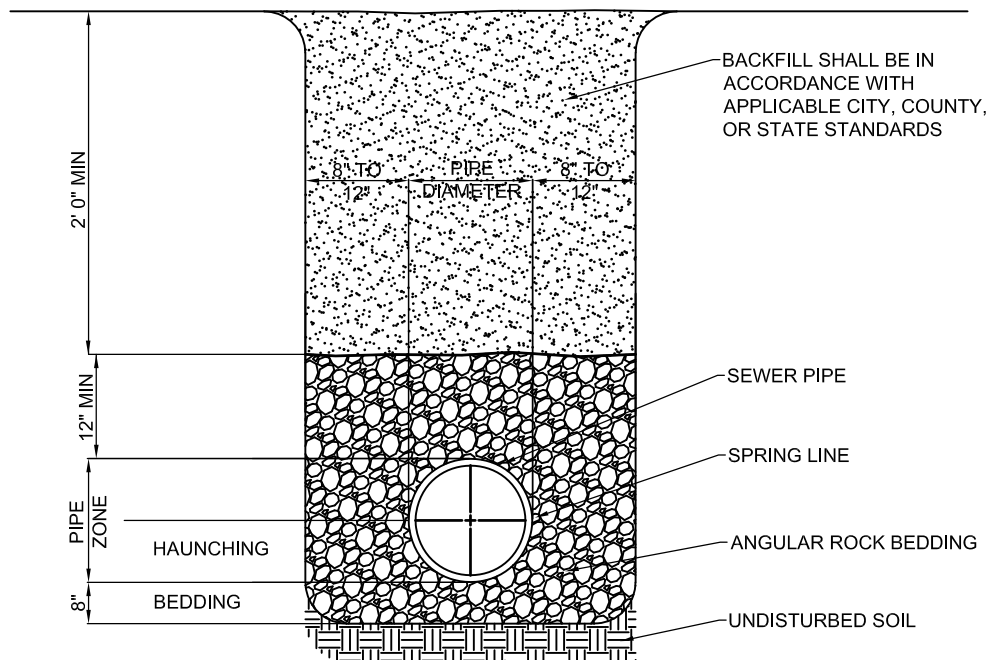


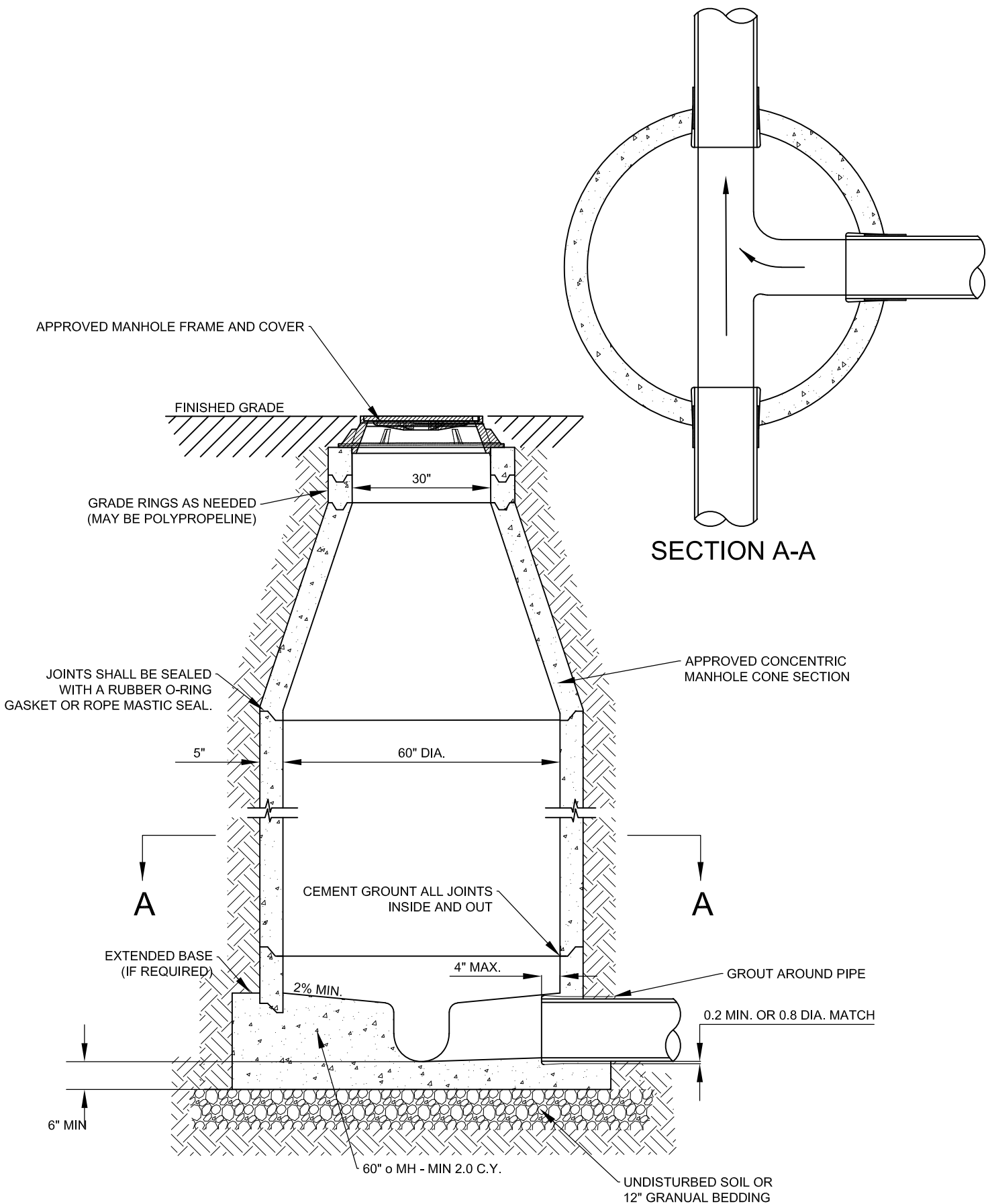
TYPICAL STREET CROSS SECTION



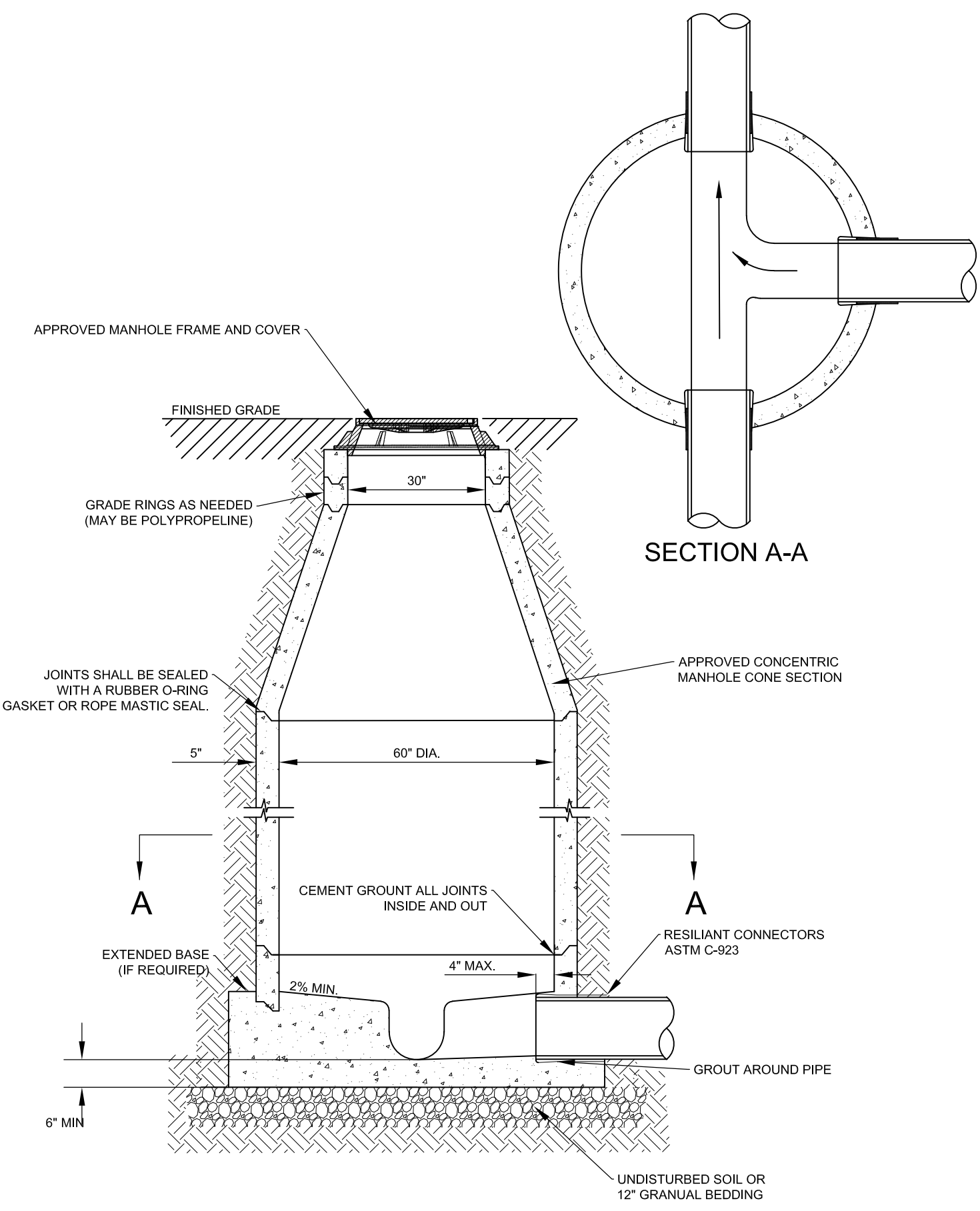
FLEXIBLE PIPE AND RIGID PIPE

DETERMINATION OF SUBGRADE IS BY THE FIELD INSPECTOR

PIPE INSTALLATION DETAIL

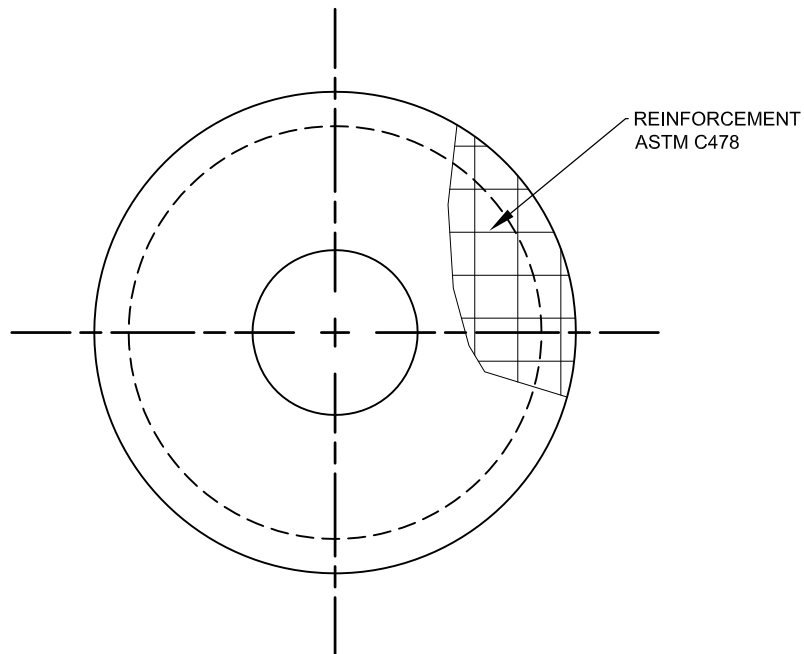
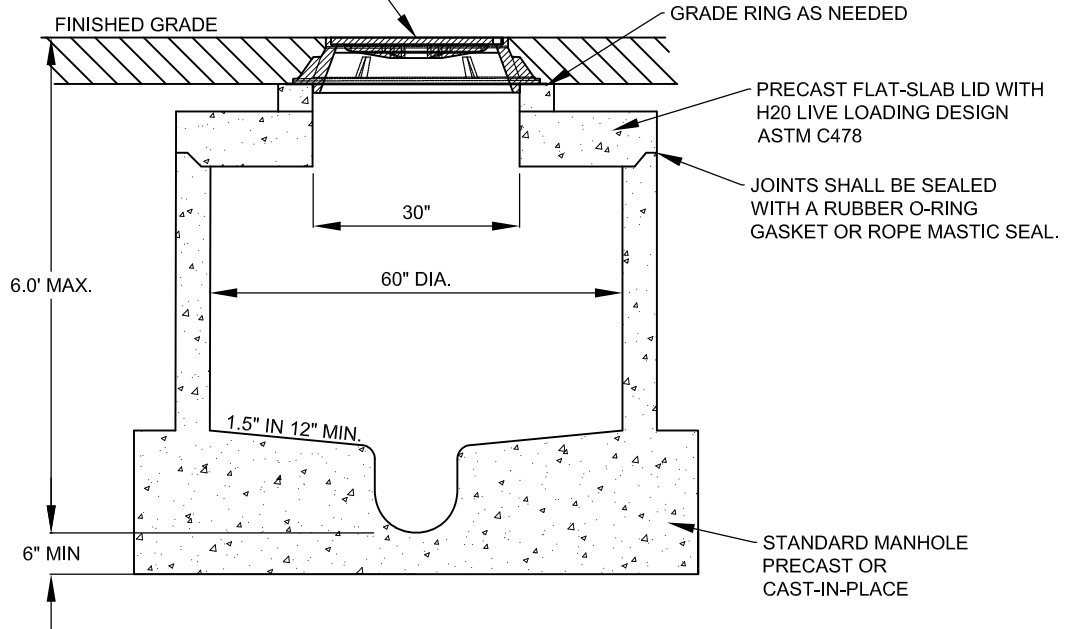


CONCENTRIC CAST-IN-PLACE MANHOLE

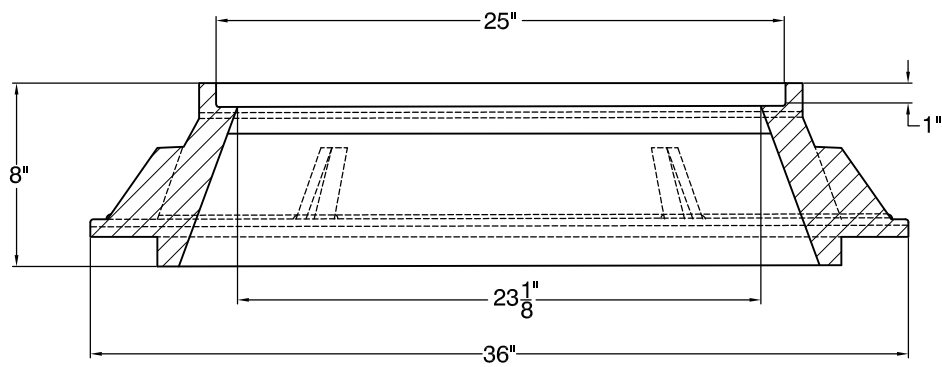
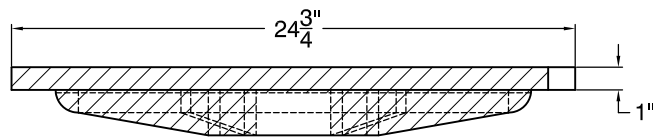
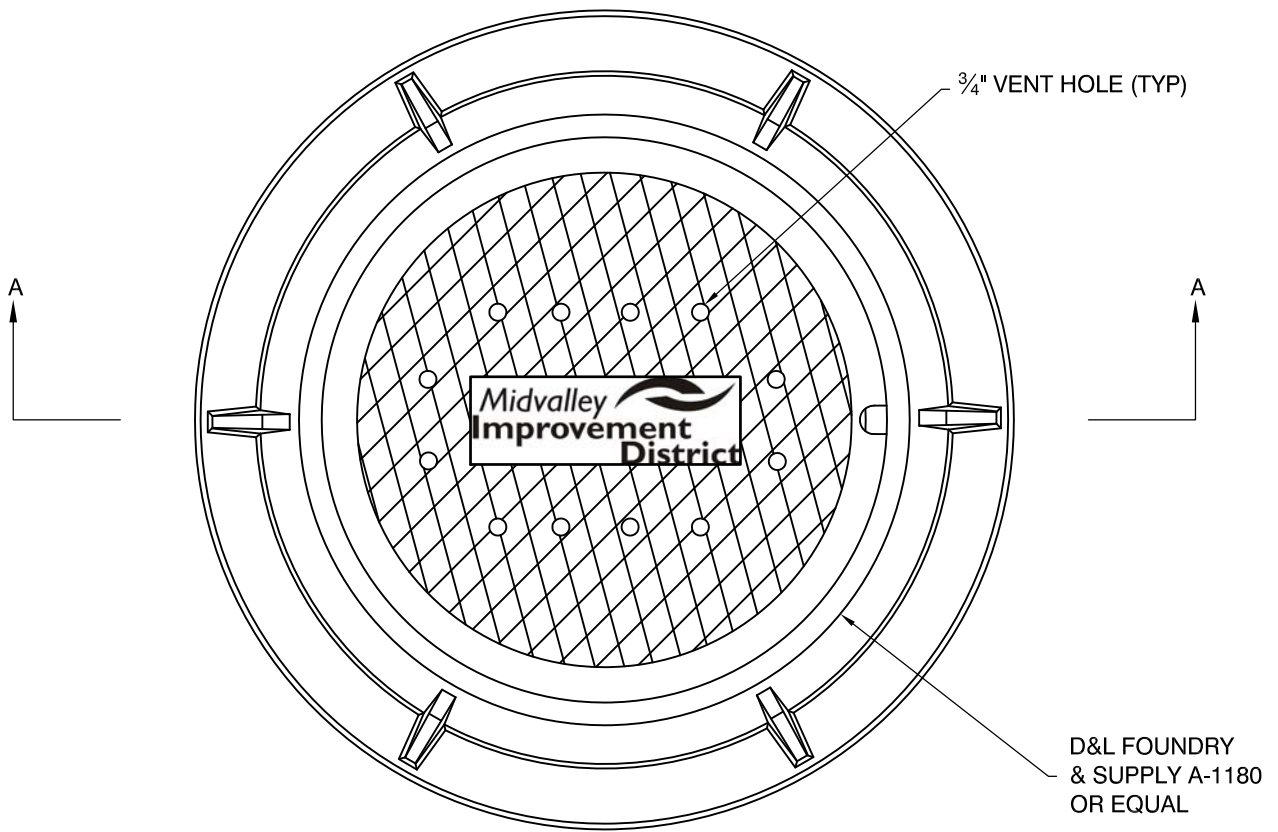


CONCENTRIC PRECAST MANHOLE

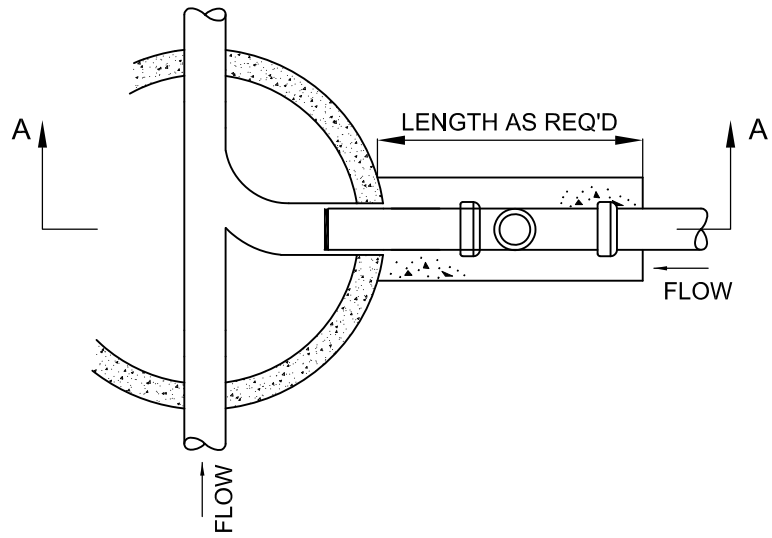
APPROVED MANHOLE FRAME AND COVER



SHALLOW MANHOLE



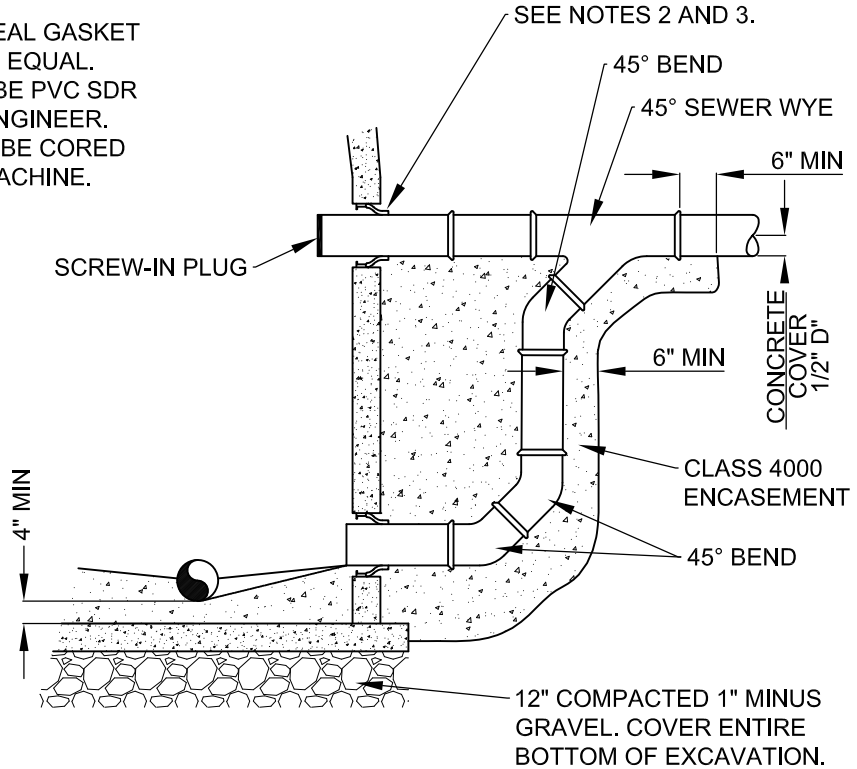
MANHOLE FRAME AND COVER



PLAN

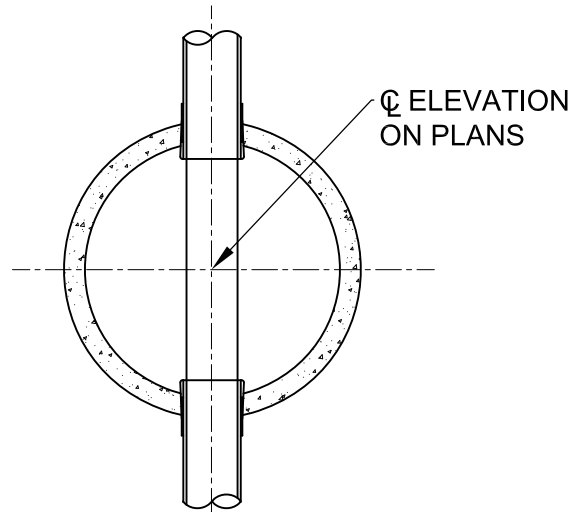
NOTES:

1. DROP PIPE TO BE THE SAME DIAMETER AS THE SEWER MAIN.
2. PIPE CONNECTIONS THROUGH EXISTING MH WALLS SHALL BE MADE W/ GROUTING RING (WATERSTOP) AS MANUFACTURED BY PRESS-SEAL GASKET CORPORATION OR APPROVED EQUAL, AND NON-SHRINK GROUT.
3. ALL PIPE CONNECTIONS TO NEW MH WALLS SHALL BE CAST-IN FLEXIBLE WATERTIGHT CONNECTORS MANUFACTURED BY PRESS-SEAL GASKET CORPORATION OR APPROVED EQUAL.
4. PIPES FOR MH DROPS SHALL BE PVC SDR 35 OR AS DIRECTED BY THE ENGINEER.
5. ALL MH CONNECTIONS SHALL BE CORED WITH A CONCRETE CORING MACHINE.

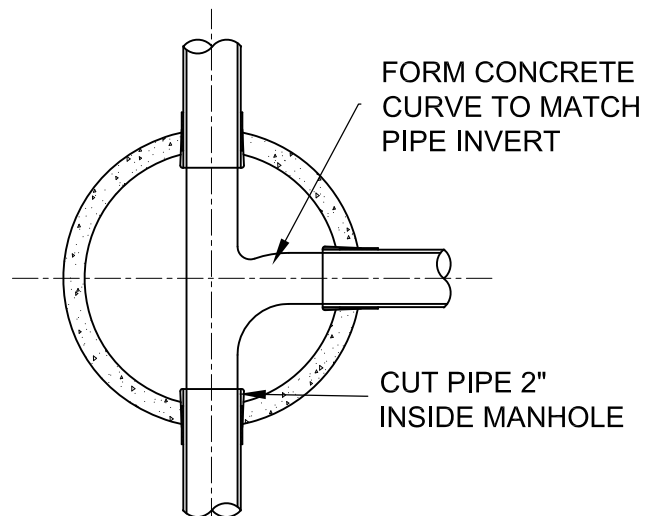


SECTION A-A

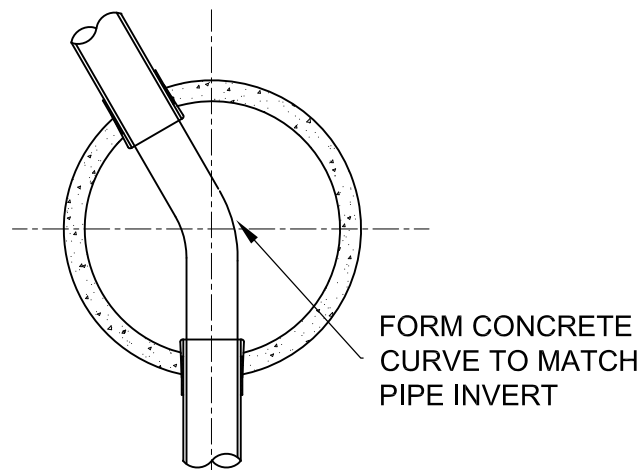
DROP MANHOLE CONNECTION



TYPICAL INVERT

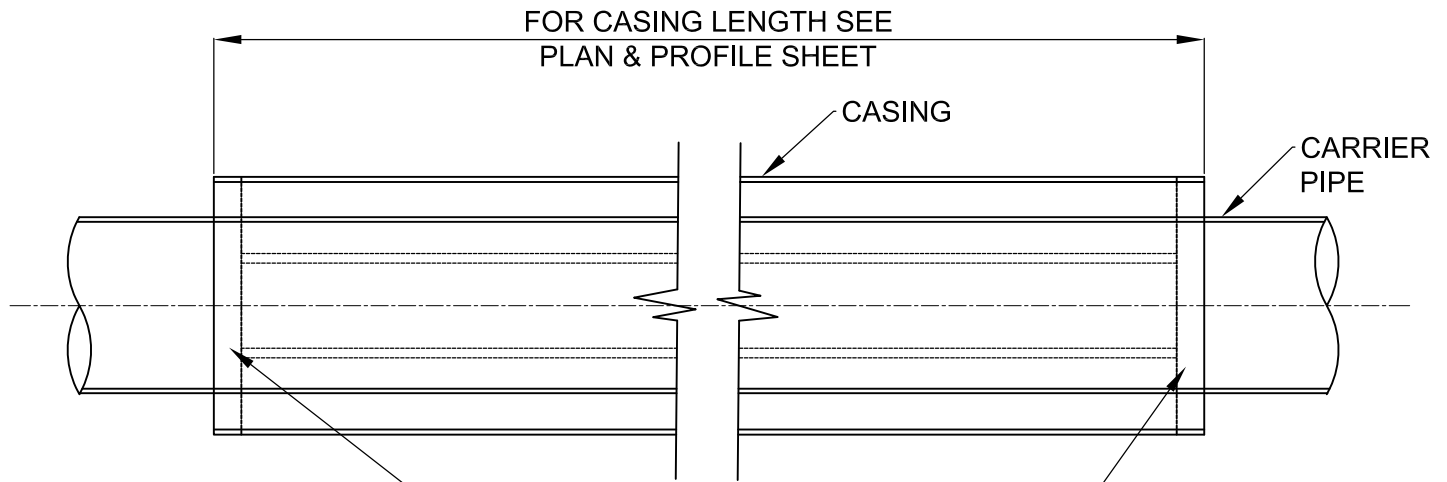


TYPICAL INVERT FOR
PIPE INTERSECTIONS



TYPICAL INVERT FOR
HORIZONTAL DEFLECTION

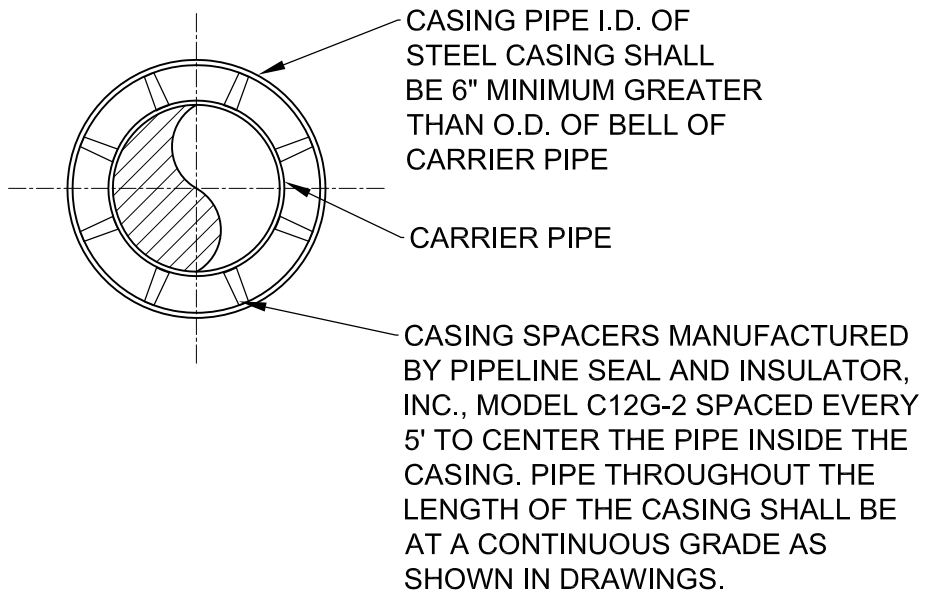
PIPE INTERSECTIONS



SEAL END OF CASING WITH $\frac{1}{8}$ " THICK SYNTHETIC RUBBER , MODEL C PULL-ON TYPE END SEAL, AS MANUFACTURED BY PIPELINE SEAL AND INSULATOR, INC. OR APPROVED EQUAL.

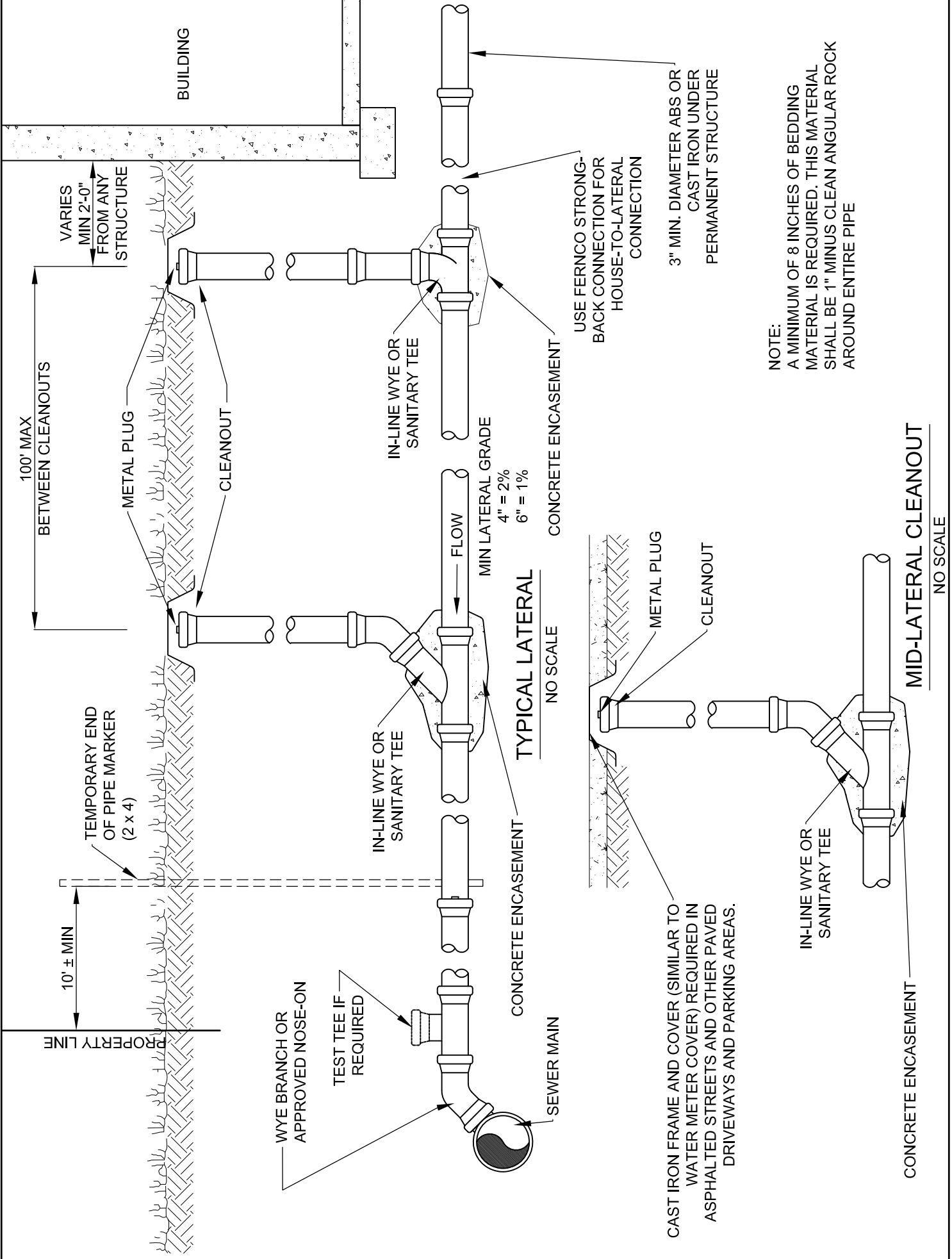
NOTES:

1. CASING PIPES SHALL BE REQUIRED AS INDICATED ON THE DRAWINGS AND/OR WHERE REQUIRED BY THE DISTRICT INSPECTOR OR ENGINEER.
2. CARRIER PIPE SHALL BE TESTED BEFORE SEALING THE ENDS OF THE CASING..
3. SPACERS SHALL BE SECURELY ATTACHED TO CARRIER PIPE PER MANUFACTURE'S REQUIREMENTS..
4. CASING PIPE SHALL BE SMOOTH STEEL WITH MINIMUM YIELD STRENGTH = 35,000 P.S.I.

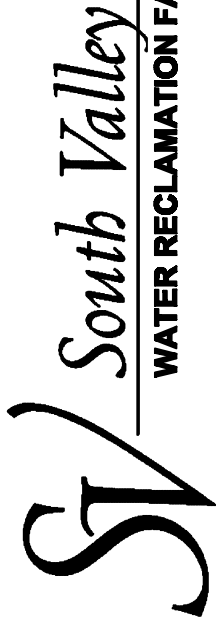


MINIMUM WALL THICKNESS OF CASING	
DIAMETER	WALL THICKNESS
12" AND UNDER	0.188"
14" - 18"	0.312"
20" - 22"	0.375"
24" - 26"	0.438"
28" - 32"	0.500"
34" - 42"	0.562"

BORING & STEEL CASING DETAIL



SANITARY SEWER SERVICE CONNECTION



7495 South 1300 West
West Jordan, Utah 84084
801.566.7711 F 801.566.7734

SOUTH VALLEY WATER RECLAMATION FACILITY PRETREATMENT PROGRAM

PRETREATMENT DRAWINGS AND SPECIFICATIONS

SAMPLING MANHOLE - 3' TO 7' DEEP

SAMPLING MANHOLE - 7' AND DEEPER

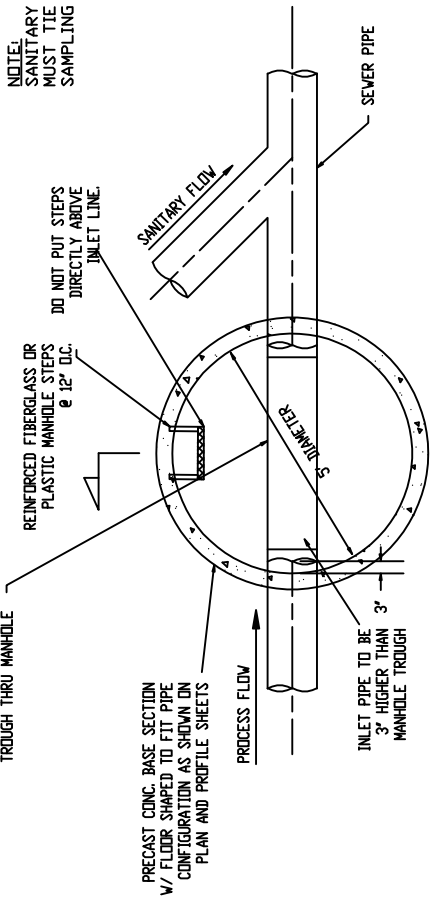
SAMPLING MANHOLE - BOX

GREASE INTERCEPTOR - 800 AND 1000 GALLON

SAND AND OIL SEPARATOR - 800 AND 1000 GALLON
DETAILS

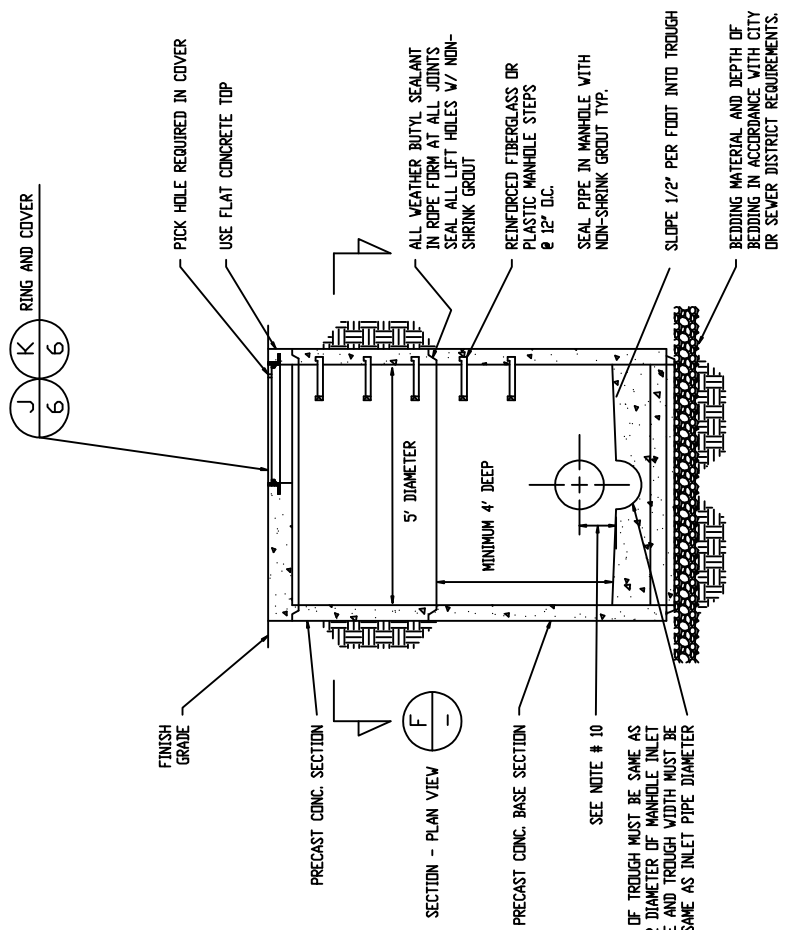
IMPORTANT NOTICE: South Valley Water Reclamation Facility must be notified prior to backfilling interceptor and sampling manhole installations. Inspection of these installations by South Valley Water Reclamation Facility is a **requirement**. SVWRF Pretreatment: 801-566-7711

NOTE:
SANITARY PIPING FROM TOILETS
MUST TIE IN DOWNSTREAM FROM
SAMPLING MANHOLE.



F PLAN - MANHOLE
NONE

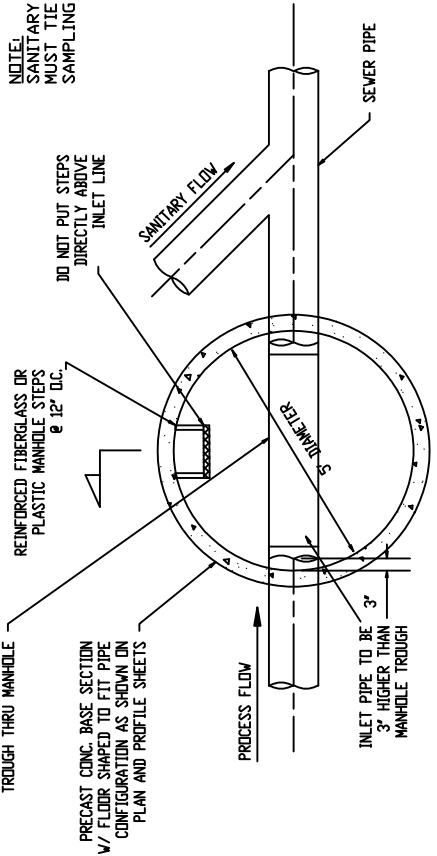
- NOTES:
1. PIPING, CLEANOUT CONFIGURATION, SIZE AND TYPE OF PIPING MATERIAL AS PER CITY OR SANITARY DISTRICT. INSPECTION BY SVWRF PRIOR TO BACKFILLING IS REQUIRED.
 2. WIDTH OF TROUGH IN THE MANHOLE MUST BE THE SAME SIZE AS THE INLET PIPE INTO MANHOLE. DEPTH OF TROUGH MUST BE THE SAME AS 1/2 OF INLET PIPE DIAMETER.
 3. CONCRETE SHALL HAVE A MINIMUM 28 DAY COMPRESSIVE STRENGTH OF 4000 PSI.
 4. REINFORCEMENT STEEL SHALL BE ASTM A615 GRADE 60.
 5. THE CONCRETE COVER OVER REINFORCEMENT STEEL SHALL BE A MINIMUM OF 1 1/2 INCHES.
 6. THE STRUCTURE SHALL BE DESIGNED BY A REGISTERED PROFESSIONAL ENGINEER LICENSED IN THE STATE OF UTAH.
 7. THE STRUCTURE SHALL BE DESIGNED FOR THE FOLLOWING LOADING CRITERIA:
A) WALLS DESIGNED FOR A SATURATED EQUIVALENT FLUID AT-REST SOIL PRESSURE OF 90 PCF PLUS TRUCK SURCHARGES.
B) TRUCK LOADING USING AN AASHTO H-20 TRUCK LOAD.
 8. MANHOLES OVER 4 FEET IN DEPTH WILL HAVE FIBERGLASS OR PLASTIC STEPS.
 9. ALL MANHOLES MUST HAVE ROUND NOTCHED COVERS WITH PICK HOLE FOR REMOVAL.
 10. FOR NEW CONSTRUCTION, BOTTOM OF INLET PIPE INTO MANHOLE MUST BE AT LEAST 3 INCHES ABOVE THE BOTTOM OF THE TROUGH THRU THE MANHOLE.
 11. 12' GRADE RINGS MAX, USE A FULL EXTENSION OF BOX FOR OVER 12'.
 12. GROUT ALL PIPES IN/OUT FLUSH WITH OUT/IN SIDE OF BOX.
 13. DO NOT LOCATE SAMPLING MANHOLE IN PARKING SPOTS.
 14. MINIMUM DEPTH OF SAMPLING MANHOLE IS 4'. IF YOU CAN'T GET 4', CONTACT SVWRF.



G SECTION - MANHOLE
NONE

DATE	NO.	REVISION
12/9/2015	1	ISSUE FOR CONSTRUCTION
12/9/2015	2	ISSUE FOR CONSTRUCTION
12/9/2015	3	ISSUE FOR CONSTRUCTION
12/9/2015	4	ISSUE FOR CONSTRUCTION
12/9/2015	5	ISSUE FOR CONSTRUCTION
12/9/2015	6	ISSUE FOR CONSTRUCTION
12/9/2015	7	ISSUE FOR CONSTRUCTION
12/9/2015	8	ISSUE FOR CONSTRUCTION
12/9/2015	9	ISSUE FOR CONSTRUCTION
12/9/2015	10	ISSUE FOR CONSTRUCTION
12/9/2015	11	ISSUE FOR CONSTRUCTION
12/9/2015	12	ISSUE FOR CONSTRUCTION
12/9/2015	13	ISSUE FOR CONSTRUCTION
12/9/2015	14	ISSUE FOR CONSTRUCTION
12/9/2015	15	ISSUE FOR CONSTRUCTION
12/9/2015	16	ISSUE FOR CONSTRUCTION
12/9/2015	17	ISSUE FOR CONSTRUCTION
12/9/2015	18	ISSUE FOR CONSTRUCTION
12/9/2015	19	ISSUE FOR CONSTRUCTION
12/9/2015	20	ISSUE FOR CONSTRUCTION
12/9/2015	21	ISSUE FOR CONSTRUCTION
12/9/2015	22	ISSUE FOR CONSTRUCTION
12/9/2015	23	ISSUE FOR CONSTRUCTION
12/9/2015	24	ISSUE FOR CONSTRUCTION
12/9/2015	25	ISSUE FOR CONSTRUCTION
12/9/2015	26	ISSUE FOR CONSTRUCTION
12/9/2015	27	ISSUE FOR CONSTRUCTION
12/9/2015	28	ISSUE FOR CONSTRUCTION
12/9/2015	29	ISSUE FOR CONSTRUCTION
12/9/2015	30	ISSUE FOR CONSTRUCTION
12/9/2015	31	ISSUE FOR CONSTRUCTION
12/9/2015	32	ISSUE FOR CONSTRUCTION
12/9/2015	33	ISSUE FOR CONSTRUCTION
12/9/2015	34	ISSUE FOR CONSTRUCTION
12/9/2015	35	ISSUE FOR CONSTRUCTION
12/9/2015	36	ISSUE FOR CONSTRUCTION
12/9/2015	37	ISSUE FOR CONSTRUCTION
12/9/2015	38	ISSUE FOR CONSTRUCTION
12/9/2015	39	ISSUE FOR CONSTRUCTION
12/9/2015	40	ISSUE FOR CONSTRUCTION
12/9/2015	41	ISSUE FOR CONSTRUCTION
12/9/2015	42	ISSUE FOR CONSTRUCTION
12/9/2015	43	ISSUE FOR CONSTRUCTION
12/9/2015	44	ISSUE FOR CONSTRUCTION
12/9/2015	45	ISSUE FOR CONSTRUCTION
12/9/2015	46	ISSUE FOR CONSTRUCTION
12/9/2015	47	ISSUE FOR CONSTRUCTION
12/9/2015	48	ISSUE FOR CONSTRUCTION
12/9/2015	49	ISSUE FOR CONSTRUCTION
12/9/2015	50	ISSUE FOR CONSTRUCTION
12/9/2015	51	ISSUE FOR CONSTRUCTION
12/9/2015	52	ISSUE FOR CONSTRUCTION
12/9/2015	53	ISSUE FOR CONSTRUCTION
12/9/2015	54	ISSUE FOR CONSTRUCTION
12/9/2015	55	ISSUE FOR CONSTRUCTION
12/9/2015	56	ISSUE FOR CONSTRUCTION
12/9/2015	57	ISSUE FOR CONSTRUCTION
12/9/2015	58	ISSUE FOR CONSTRUCTION
12/9/2015	59	ISSUE FOR CONSTRUCTION
12/9/2015	60	ISSUE FOR CONSTRUCTION
12/9/2015	61	ISSUE FOR CONSTRUCTION
12/9/2015	62	ISSUE FOR CONSTRUCTION
12/9/2015	63	ISSUE FOR CONSTRUCTION
12/9/2015	64	ISSUE FOR CONSTRUCTION
12/9/2015	65	ISSUE FOR CONSTRUCTION
12/9/2015	66	ISSUE FOR CONSTRUCTION
12/9/2015	67	ISSUE FOR CONSTRUCTION
12/9/2015	68	ISSUE FOR CONSTRUCTION
12/9/2015	69	ISSUE FOR CONSTRUCTION
12/9/2015	70	ISSUE FOR CONSTRUCTION
12/9/2015	71	ISSUE FOR CONSTRUCTION
12/9/2015	72	ISSUE FOR CONSTRUCTION
12/9/2015	73	ISSUE FOR CONSTRUCTION
12/9/2015	74	ISSUE FOR CONSTRUCTION
12/9/2015	75	ISSUE FOR CONSTRUCTION
12/9/2015	76	ISSUE FOR CONSTRUCTION
12/9/2015	77	ISSUE FOR CONSTRUCTION
12/9/2015	78	ISSUE FOR CONSTRUCTION
12/9/2015	79	ISSUE FOR CONSTRUCTION
12/9/2015	80	ISSUE FOR CONSTRUCTION
12/9/2015	81	ISSUE FOR CONSTRUCTION
12/9/2015	82	ISSUE FOR CONSTRUCTION
12/9/2015	83	ISSUE FOR CONSTRUCTION
12/9/2015	84	ISSUE FOR CONSTRUCTION
12/9/2015	85	ISSUE FOR CONSTRUCTION
12/9/2015	86	ISSUE FOR CONSTRUCTION
12/9/2015	87	ISSUE FOR CONSTRUCTION
12/9/2015	88	ISSUE FOR CONSTRUCTION
12/9/2015	89	ISSUE FOR CONSTRUCTION
12/9/2015	90	ISSUE FOR CONSTRUCTION
12/9/2015	91	ISSUE FOR CONSTRUCTION
12/9/2015	92	ISSUE FOR CONSTRUCTION
12/9/2015	93	ISSUE FOR CONSTRUCTION
12/9/2015	94	ISSUE FOR CONSTRUCTION
12/9/2015	95	ISSUE FOR CONSTRUCTION
12/9/2015	96	ISSUE FOR CONSTRUCTION
12/9/2015	97	ISSUE FOR CONSTRUCTION
12/9/2015	98	ISSUE FOR CONSTRUCTION
12/9/2015	99	ISSUE FOR CONSTRUCTION
12/9/2015	100	ISSUE FOR CONSTRUCTION

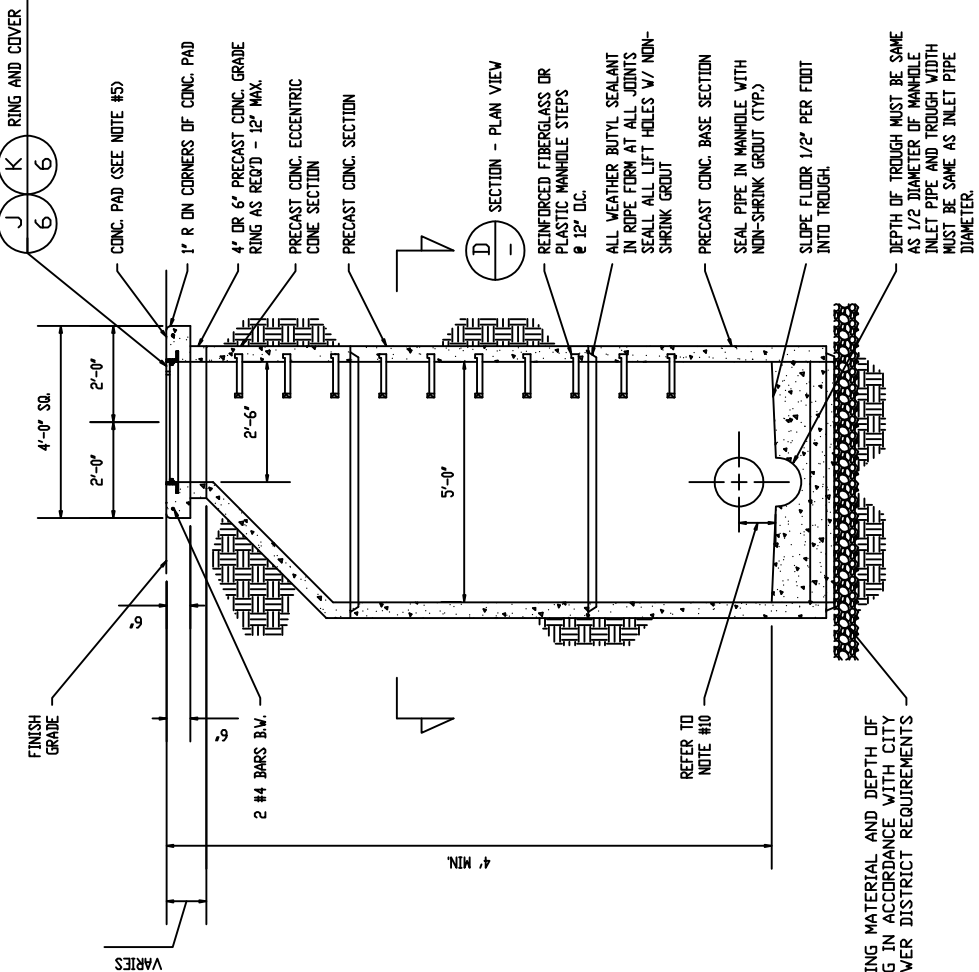
IMPORTANT NOTICE: South Valley Water Reclamation Facility must be notified prior to backfilling
interceptor and sampling manhole installations. Inspection of these installations by South Valley Water
Reclamation Facility is a requirement. SVWRF Pretreatment: 801-566-7711



D PLAN - MANHOLE
NONE

- NOTES:
1. PIPING, CLEANOUT CONFIGURATION, SIZE AND TYPE OF PIPING MATERIAL AS PER CITY OR SANITARY DISTRICT. INSPECTION BY SVWRF PRIOR TO BACKFILLING IS REQUIRED.
 2. WIDTH OF TROUGH IN THE MANHOLE MUST BE THE SAME SIZE AS THE INLET PIPE INTO MANHOLE. DEPTH OF TROUGH MUST BE THE SAME AS 1/2 OF INLET PIPE DIAMETER.
 3. CONCRETE SHALL HAVE A MINIMUM 28 DAY COMPRESSIVE STRENGTH OF 4000 PSI.
 4. REINFORCEMENT STEEL SHALL BE ASTM A615 GRADE 60.
 5. THE CONCRETE COVER OVER REINFORCEMENT STEEL SHALL BE A MINIMUM OF 1 1/2 INCHES.
 6. THE STRUCTURE SHALL BE DESIGNED BY A REGISTERED PROFESSIONAL ENGINEER LICENSED IN THE STATE OF UTAH.
 7. THE STRUCTURE SHALL BE DESIGNED FOR THE FOLLOWING LOADING CRITERIA:
 - A) WALLS DESIGNED FOR A SATURATED EQUIVALENT FLUID AT-REST SOIL PRESSURE OF 90 PCF PLUS TRUCK SURCHARGES.
 - B) TRUCK LOADING USING AN AASHTO H-20 TRUCK LOAD.
 8. MANHOLES OVER 4 FEET IN DEPTH WILL HAVE FIBERGLASS OR PLASTIC STEPS.
 9. ALL MANHOLES MUST HAVE ROUND NOTCHED COVERS WITH PICK HOLE FOR REMOVAL.
 10. BOTTOM OF INLET PIPE INTO MANHOLE MUST BE AT LEAST 3 INCHES ABOVE THE BOTTOM OF THE TROUGH THRU THE MANHOLE.
 11. NO CONE SECTION BY ITSELF.
 12. GROUT ALL PIPES IN OR OUT WITH FLUSH INSIDE/OUTSIDE OF BOX.
 13. INLET PIPE 2' INSIDE BOX.
 14. DO NOT LOCATE SAMPLING MANHOLE IN PARKING SPOTS.

NOTE: SANITARY PIPING FROM TOILETS MUST TIE IN DOWNSTREAM FROM SAMPLING MANHOLE.



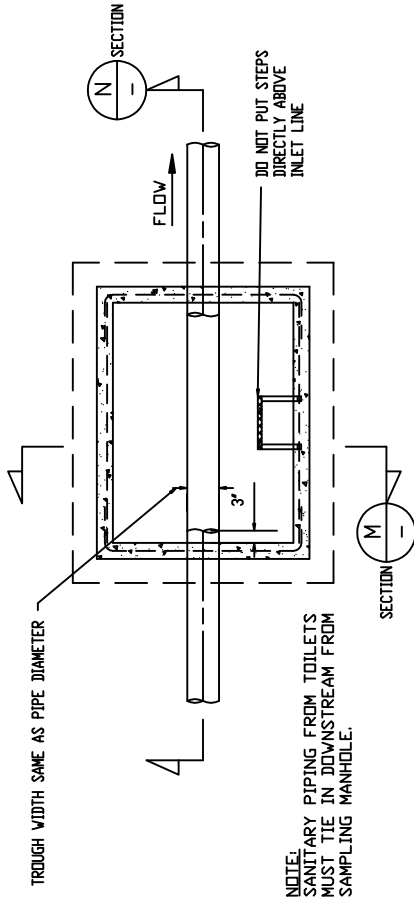
E SECTION - MANHOLE
NONE

		SOUTH VALLEY WATER RECLAMATION FACILITY PRETREATMENT PROGRAM SAMPLING MANHOLE, 7' AND DEEPER	
JOB NO. 14-005	DATE: JULY 14, 2005	DRAWN BY: J. MCDUGALL	CHECKED BY: N. PALMER
PROJECT: 17A/05 LIM. 1.	ORDER NO.: N. PALMER	DATE: 12/9/08	DRAWN BY: N. PALMER
REV. DATE BY DESCRIPTION	17A/05 LIM. 1.	12/9/08	N. PALMER
1.	17A/05 LIM. 1.	12/9/08	N. PALMER
2.	17A/05 LIM. 1.	12/9/08	N. PALMER
3.	17A/05 LIM. 1.	12/9/08	N. PALMER
4.	17A/05 LIM. 1.	12/9/08	N. PALMER
5.	17A/05 LIM. 1.	12/9/08	N. PALMER
6.	17A/05 LIM. 1.	12/9/08	N. PALMER
7.	17A/05 LIM. 1.	12/9/08	N. PALMER
8.	17A/05 LIM. 1.	12/9/08	N. PALMER
9.	17A/05 LIM. 1.	12/9/08	N. PALMER
10.	17A/05 LIM. 1.	12/9/08	N. PALMER
11.	17A/05 LIM. 1.	12/9/08	N. PALMER
12.	17A/05 LIM. 1.	12/9/08	N. PALMER
13.	17A/05 LIM. 1.	12/9/08	N. PALMER
14.	17A/05 LIM. 1.	12/9/08	N. PALMER

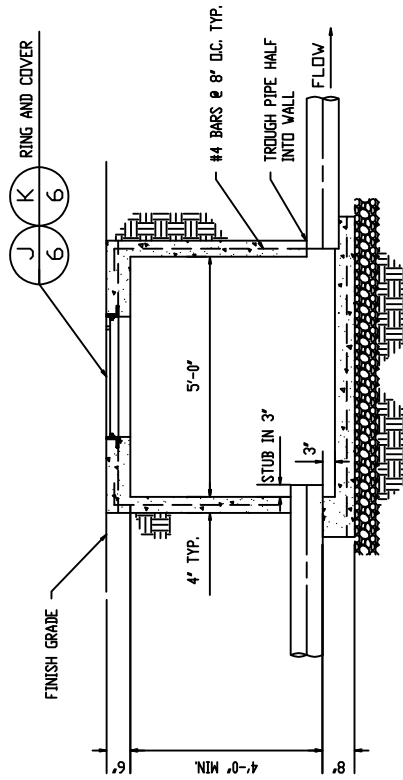
IMPORTANT NOTICE: South Valley Water Reclamation Facility must be notified prior to backfilling interceptor and sampling manhole installations. Inspection of these installations by South Valley Water Reclamation Facility is a requirement. SVWRF Pretreatment: 801-566-7711

NOTES:

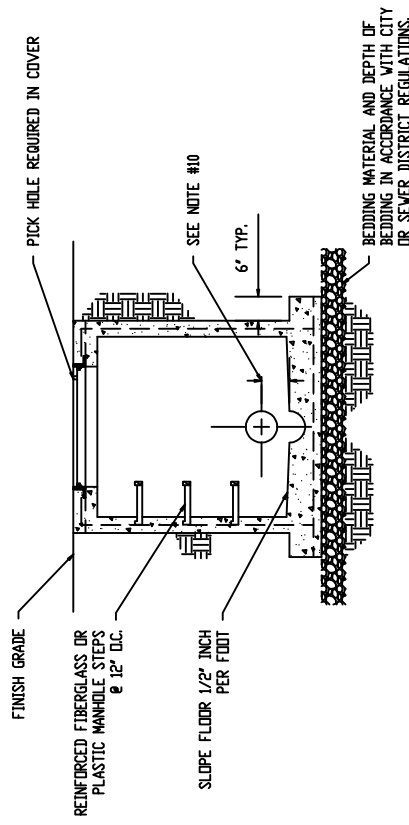
1. PIPING, CLEANOUT CONFIGURATION, SIZE AND TYPE OF PIPING MATERIAL AS PER CITY OR SANITARY DISTRICT. INSPECTION BY SVWRF PRIOR TO BACKFILLING IS REQUIRED.
2. WIDTH OF TROUGH IN THE MANHOLE MUST BE THE SAME SIZE AS THE INLET PIPE INTO MANHOLE. DEPTH OF TROUGH MUST BE THE SAME AS 1/2 OF INLET PIPE DIAMETER.
3. CONCRETE SHALL HAVE A MINIMUM 28 DAY COMPRESSIVE STRENGTH OF 4000 PSI.
4. REINFORCEMENT STEEL SHALL BE ASTM A615 GRADE 60.
5. THE CONCRETE COVER OVER REINFORCEMENT STEEL SHALL BE A MINIMUM OF 1 1/2 INCHES.
6. THE STRUCTURE SHALL BE DESIGNED BY A REGISTERED PROFESSIONAL ENGINEER LICENSED IN THE STATE OF UTAH.
7. THE STRUCTURE SHALL BE DESIGNED FOR THE FOLLOWING LOADING CRITERIA:
 A) WALLS DESIGNED FOR A SATURATED EQUIVALENT FLUID AT-REST SOIL PRESSURE OF 90 PCF PLUS TRUCK SURCHARGES.
 B) TRUCK LOADING USING AN AASHTO H-20 TRUCK LOAD.
8. MANHOLES OVER 4 FEET IN DEPTH WILL HAVE FIBERGLASS OR PLASTIC STEPS.
9. ALL MANHOLES MUST HAVE ROUND NOTCHED COVERS WITH PICK HOLE FOR REMOVAL.
10. BOTTOM OF INLET PIPE INTO MANHOLE MUST BE AT LEAST 3 INCHES ABOVE THE BOTTOM OF THE TROUGH THRU THE MANHOLE.
11. 12" OF GRADE RINGS MAX. USE A FULL EXTENSION OF BOX FOR OVER 12".
12. ANY WATER THAT ENTERS SMH MUST LEAVE, NO PUDDLING.
13. GROUT ALL PIPES IN/OUT FLUSH WITH SIDE OF BOX.
14. INLET PIPE 2" INSIDE BOX.



L PLAN - SAMPLE BOX
NONE



N SECTION - SAMPLE BOX
NONE



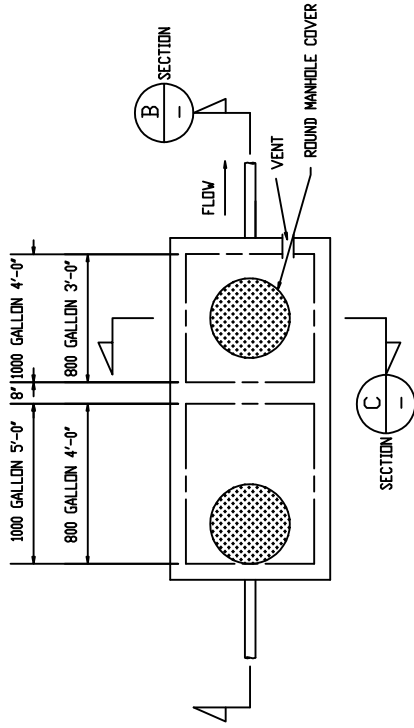
M SECTION - SAMPLE BOX
NONE

<p>12/8/08 D.S. NOTES 11, 12, 13 & 14. OUTLET PIPE IN (O) SECTION. BEDDING NOTE IN (O) SECTION.</p>	<p>DESIGNED BY: N. PALMER CHECKED BY: J. RODRIGUEZ DATE: 11/11/08</p>	<p>OWNER: N. PALMER DATE: 11/11/08</p>	<p>PROJECT: SOUTH VALLEY WATER RECLAMATION FACILITY PRE-TREATMENT PROGRAM SAMPLING MANHOLE, BOX</p>	<p>DATE: 11/11/08 SHEET: 4 OF 6</p>
---	---	---	--	--

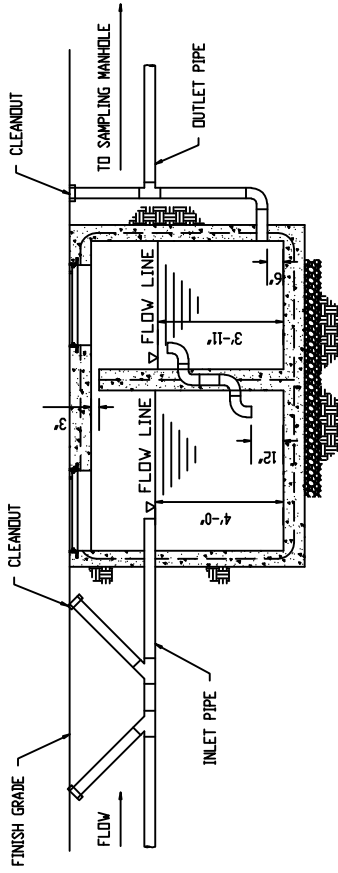
IMPORTANT NOTICE: South Valley Water Reclamation Facility must be notified prior to backfilling
interceptor and sampling manhole installations. Inspection of these installations by South Valley Water
Reclamation Facility is a requirement. SVWRF Pretreatment: 801-566-7711

NOTES:

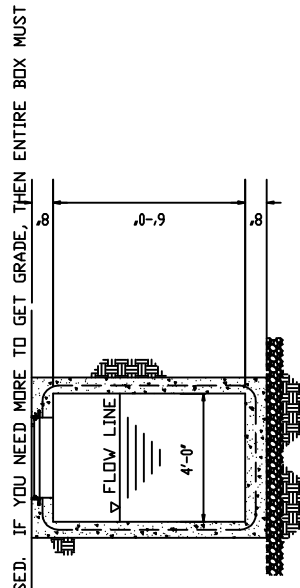
1. PIPING, CLEANOUT CONFIGURATION, SIZE AND TYPE OF PIPING MATERIAL AS PER CITY OR SANITARY DISTRICT. INSPECTION BY SVWRF PRIOR TO BACKFILLING IS REQUIRED.
2. INTERCEPTOR PIPING AND OTHER ASSOCIATED PIPING CHANGES THAT ARE NECESSARY TO INSTALL INTERCEPTOR MUST BE IN ACCORDANCE WITH LOCAL REGULATIONS.
3. INTERCEPTOR MUST BE PROPERLY VENTED, INDEPENDENT OF OTHER FACTORS, IN ACCORDANCE WITH UNIFORM PLUMBING CODE STANDARDS. VENTED INSIDE BUILDING WITH INDEPENDENT VENT AWAY FROM VTR AIR INTAKES.
4. CONCRETE SHALL HAVE A MINIMUM 28 DAY COMPRESSIVE STRENGTH OF 4000 PSI.
5. REINFORCEMENT STEEL SHALL BE ASTM A615 GRADE 60.
6. THE CONCRETE COVER OVER REINFORCEMENT STEEL SHALL BE A MINIMUM OF 1-1/2 INCHES.
7. THE STRUCTURE SHALL BE DESIGNED BY A REGISTERED PROFESSIONAL ENGINEER LICENSED IN THE STATE OF UTAH.
8. THE STRUCTURE SHALL BE DESIGNED FOR THE FOLLOWING LOADING CRITERIA:
 A) WALLS DESIGNED FOR A SATURATED EQUIVALENT FLUID AT-REST SOIL PRESSURE OF 90 PCF PLUS TRUCK SURCHARGES.
 B) TRUCK LOADING USING AN AASHTO H-20 TRUCK LOAD.
9. MANWAY FRAME & COVER SHALL BE A TRAFFIC TYPE CASTING FOR H-20 TRUCK LOAD.
10. THE INLET PIPE SHALL BE AT AN ELEVATION 1' HIGHER THAN THE OUTLET PIPE.
11. WHERE THE SEWER LINE ALREADY EXISTS, THE SEWER INVERT INTO AND OUT OF THE INTERCEPTOR SHALL BE 4'-0" ABOVE THE INTERCEPTOR FLOOR.
12. THE BAFFLE IN THE INTERCEPTOR SHALL BE WITHIN 3" OF THE CEILING. BAFFLE WILL HAVE TO BE RAISED WITH EXTENSION OF BOX.
13. COVERS SHALL BE CIRCULAR AND BE SOLID.
14. SANITARY WASTE FROM TOILETS MUST NOT BE PLUMBED THROUGH THE INTERCEPTOR.
15. INTERCEPTOR MUST BE LOCATED IN SUCH A MANNER THAT IT IS READILY ACCESSIBLE FOR CLEANING.
16. GROUT ALL PIPE INTO AND OUT OF BOX FLUSH WITH OUTSIDE.
17. GROUT ALL WINDOW AND KNOCK OUT FLUSH WITH OUTSIDE OF BOX.
18. GROUT ANY SPALDS FROM KNOCKOUTS.
19. 12' OF GRADE RINGS IS ALL THAT CAN BE USED. IF YOU NEED MORE TO GET GRADE, THEN ENTIRE BOX MUST BE RAISED.



A PLAN - GREASE INTERCEPTOR
 - NONE SAND AND OIL SEPERATOR



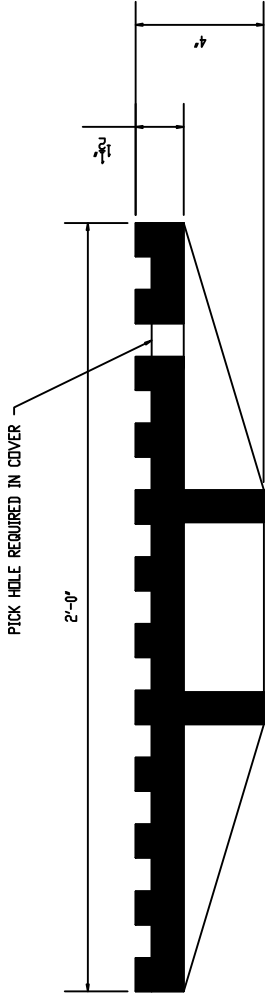
B SECTION - GREASE INTERCEPTOR
 - NONE SAND AND OIL SEPERATOR



C SECTION - GREASE INTERCEPTOR
 - NONE SAND AND OIL SEPERATOR

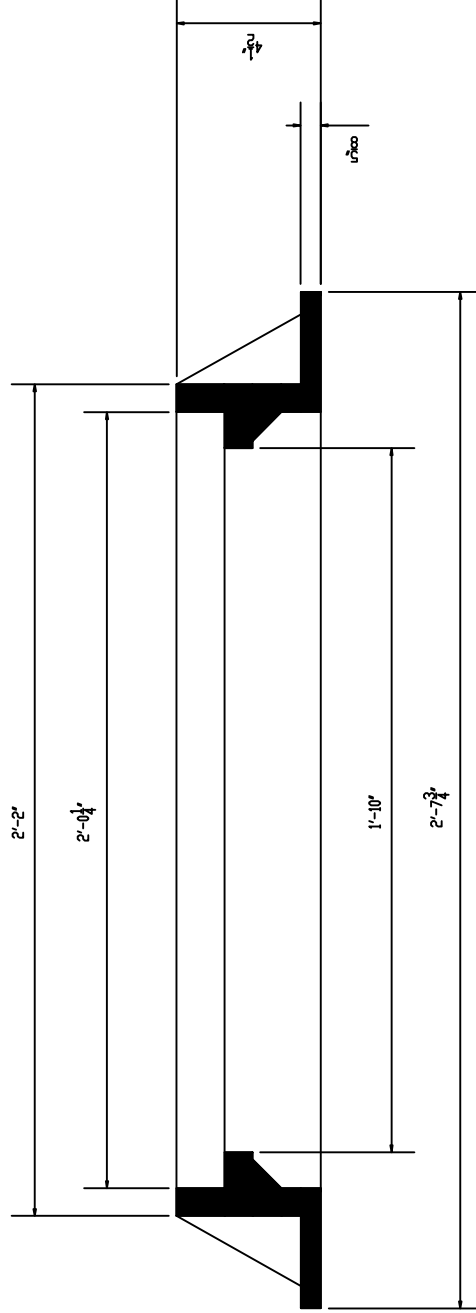
DESIGNED BY N. PALMER	CHECKED BY N. PALMER	SOUTH VALLEY WATER RECLAMATION FACILITY PRETREATMENT PROGRAM GREASE INTERCEPTOR	
DRAWN BY J. MCDUGALL	DATE N. PALMER	SCALE NONE	SHEET NO. SHEET 5 OF 6
REV. DATE BY	DESCRIPTION	SOUTH VALLEY WATER RECLAMATION FACILITY PRETREATMENT PROGRAM GREASE INTERCEPTOR	
12/12/2015	NOTES 16, 17, & 18. VENT IN (B) SECTION.	SOUTH VALLEY WATER RECLAMATION FACILITY PRETREATMENT PROGRAM GREASE INTERCEPTOR	
12/12/2015	1. PIPING, CLEANOUT CONFIGURATION, SIZE AND TYPE OF PIPING MATERIAL AS PER CITY OR SANITARY DISTRICT. INSPECTION BY SVWRF PRIOR TO BACKFILLING IS REQUIRED.	SOUTH VALLEY WATER RECLAMATION FACILITY PRETREATMENT PROGRAM GREASE INTERCEPTOR	
12/12/2015	2. INTERCEPTOR PIPING AND OTHER ASSOCIATED PIPING CHANGES THAT ARE NECESSARY TO INSTALL INTERCEPTOR MUST BE IN ACCORDANCE WITH LOCAL REGULATIONS.	SOUTH VALLEY WATER RECLAMATION FACILITY PRETREATMENT PROGRAM GREASE INTERCEPTOR	
12/12/2015	3. INTERCEPTOR MUST BE PROPERLY VENTED, INDEPENDENT OF OTHER FACTORS, IN ACCORDANCE WITH UNIFORM PLUMBING CODE STANDARDS. VENTED INSIDE BUILDING WITH INDEPENDENT VENT AWAY FROM VTR AIR INTAKES.	SOUTH VALLEY WATER RECLAMATION FACILITY PRETREATMENT PROGRAM GREASE INTERCEPTOR	
12/12/2015	4. CONCRETE SHALL HAVE A MINIMUM 28 DAY COMPRESSIVE STRENGTH OF 4000 PSI.	SOUTH VALLEY WATER RECLAMATION FACILITY PRETREATMENT PROGRAM GREASE INTERCEPTOR	
12/12/2015	5. REINFORCEMENT STEEL SHALL BE ASTM A615 GRADE 60.	SOUTH VALLEY WATER RECLAMATION FACILITY PRETREATMENT PROGRAM GREASE INTERCEPTOR	
12/12/2015	6. THE CONCRETE COVER OVER REINFORCEMENT STEEL SHALL BE A MINIMUM OF 1-1/2 INCHES.	SOUTH VALLEY WATER RECLAMATION FACILITY PRETREATMENT PROGRAM GREASE INTERCEPTOR	
12/12/2015	7. THE STRUCTURE SHALL BE DESIGNED BY A REGISTERED PROFESSIONAL ENGINEER LICENSED IN THE STATE OF UTAH.	SOUTH VALLEY WATER RECLAMATION FACILITY PRETREATMENT PROGRAM GREASE INTERCEPTOR	
12/12/2015	8. THE STRUCTURE SHALL BE DESIGNED FOR THE FOLLOWING LOADING CRITERIA: A) WALLS DESIGNED FOR A SATURATED EQUIVALENT FLUID AT-REST SOIL PRESSURE OF 90 PCF PLUS TRUCK SURCHARGES. B) TRUCK LOADING USING AN AASHTO H-20 TRUCK LOAD.	SOUTH VALLEY WATER RECLAMATION FACILITY PRETREATMENT PROGRAM GREASE INTERCEPTOR	
12/12/2015	9. MANWAY FRAME & COVER SHALL BE A TRAFFIC TYPE CASTING FOR H-20 TRUCK LOAD.	SOUTH VALLEY WATER RECLAMATION FACILITY PRETREATMENT PROGRAM GREASE INTERCEPTOR	
12/12/2015	10. THE INLET PIPE SHALL BE AT AN ELEVATION 1' HIGHER THAN THE OUTLET PIPE.	SOUTH VALLEY WATER RECLAMATION FACILITY PRETREATMENT PROGRAM GREASE INTERCEPTOR	
12/12/2015	11. WHERE THE SEWER LINE ALREADY EXISTS, THE SEWER INVERT INTO AND OUT OF THE INTERCEPTOR SHALL BE 4'-0" ABOVE THE INTERCEPTOR FLOOR.	SOUTH VALLEY WATER RECLAMATION FACILITY PRETREATMENT PROGRAM GREASE INTERCEPTOR	
12/12/2015	12. THE BAFFLE IN THE INTERCEPTOR SHALL BE WITHIN 3" OF THE CEILING. BAFFLE WILL HAVE TO BE RAISED WITH EXTENSION OF BOX.	SOUTH VALLEY WATER RECLAMATION FACILITY PRETREATMENT PROGRAM GREASE INTERCEPTOR	
12/12/2015	13. COVERS SHALL BE CIRCULAR AND BE SOLID.	SOUTH VALLEY WATER RECLAMATION FACILITY PRETREATMENT PROGRAM GREASE INTERCEPTOR	
12/12/2015	14. SANITARY WASTE FROM TOILETS MUST NOT BE PLUMBED THROUGH THE INTERCEPTOR.	SOUTH VALLEY WATER RECLAMATION FACILITY PRETREATMENT PROGRAM GREASE INTERCEPTOR	
12/12/2015	15. INTERCEPTOR MUST BE LOCATED IN SUCH A MANNER THAT IT IS READILY ACCESSIBLE FOR CLEANING.	SOUTH VALLEY WATER RECLAMATION FACILITY PRETREATMENT PROGRAM GREASE INTERCEPTOR	
12/12/2015	16. GROUT ALL PIPE INTO AND OUT OF BOX FLUSH WITH OUTSIDE.	SOUTH VALLEY WATER RECLAMATION FACILITY PRETREATMENT PROGRAM GREASE INTERCEPTOR	
12/12/2015	17. GROUT ALL WINDOW AND KNOCK OUT FLUSH WITH OUTSIDE OF BOX.	SOUTH VALLEY WATER RECLAMATION FACILITY PRETREATMENT PROGRAM GREASE INTERCEPTOR	
12/12/2015	18. GROUT ANY SPALDS FROM KNOCKOUTS.	SOUTH VALLEY WATER RECLAMATION FACILITY PRETREATMENT PROGRAM GREASE INTERCEPTOR	
12/12/2015	19. 12' OF GRADE RINGS IS ALL THAT CAN BE USED. IF YOU NEED MORE TO GET GRADE, THEN ENTIRE BOX MUST BE RAISED.	SOUTH VALLEY WATER RECLAMATION FACILITY PRETREATMENT PROGRAM GREASE INTERCEPTOR	

IMPORTANT NOTICE: South Valley Water Reclamation Facility must be notified prior to backfilling
interceptor and sampling manhole installations. Inspection of these installations by South Valley Water
Reclamation Facility is a requirement. SVWRF Pretreatment: 801-566-7711



NOTE:
IF CONCRETE GRADE RINGS ARE USED ON A
SAMPLING MANHOLE INSTALLATION, THE TOTAL
HEIGHT OF THE STACKED RINGS MUST NOT
EXCEED 12".

J MANHOLE COVER
6 NONE



K MANHOLE RING
6 NONE

REV. DATE BY	DESCRIPTION	99999999, 2001	DESIGNED BY N. PALMER CHECKED BY J. MCDUGALL	DESIGNED BY N. PALMER CHECKED BY N. PALMER	 SOUTH VALLEY WATER RECLAMATION FACILITY PRETREATMENT PROGRAM DETAILS SHEET 6 OF 6
--------------	-------------	----------------	---	---	--

IMPORTANT NOTICE: South Valley Water Reclamation Facility must be notified prior to backfilling
interceptor and sampling manhole installations. Inspection of these installations by South Valley Water
Reclamation Facility is a requirement. SVWRF Pretreatment: 801-566-7711